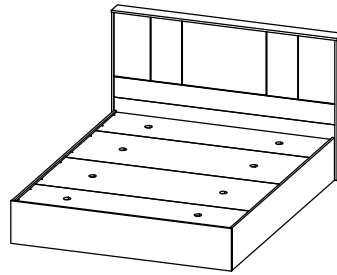


HARRINGTON

ASSEMBLY GUIDE

CODING
- 655129





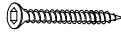



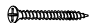
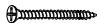






ISO 9001:2015
Reg. No. 00005-1-INT-1-QMS

nuhoom.com

Read the instructions carefully. Remove all the wrappings , staples and straps from the carton. Refer to the hardware and furniture part list for guidance. Make sure that you have all the parts before you start assembling. Place all the wooden furniture parts on a clean, flat and soft surface, such as a carpet or rubbermat to prevent scratches.

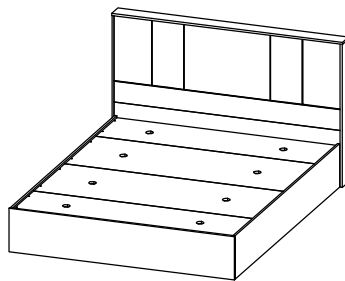
CAUTION
KEEP ALL THE PARTS OUT OF CHILDREN'S REACH.

HARDWARE			
A	MINI FIX	A1  A2  A3 	37 SETS
B	M8 X 30MM WOOD DOWEL		52 PCS
C	M6 X 50MM CSK CAP WOOD SCREW		10 PCS
D	ALLEN KEY M4		1 PC
E	SP-002 I BRACKET		3 PCS
F	M3.5 X 16MM C.B SCREW		34 PCS
G	M4 X 32MM C.B SCREW		16 PCS
H	M4 X 38MM C.B SCREW		8 PCS
I	JCBC SCREW M6 X 30MM		12 PCS
L	1 INCH DIRECTIONAL WHEEL		8 PCS

SELF-PREPARED TOOLS: Tools below are NOT included in package.	
 SCREWDRIVER	 HAMMER

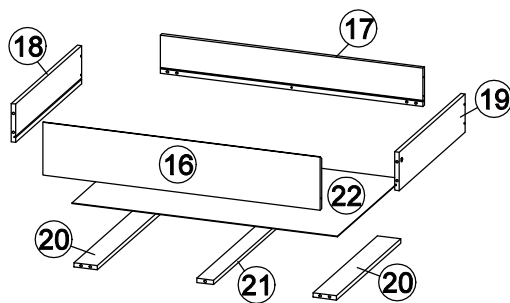
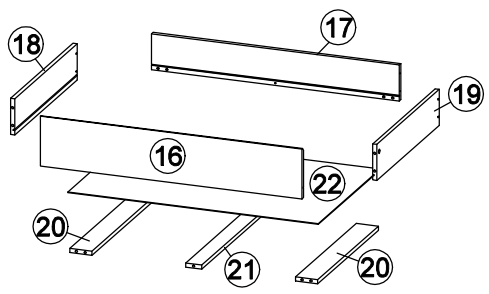
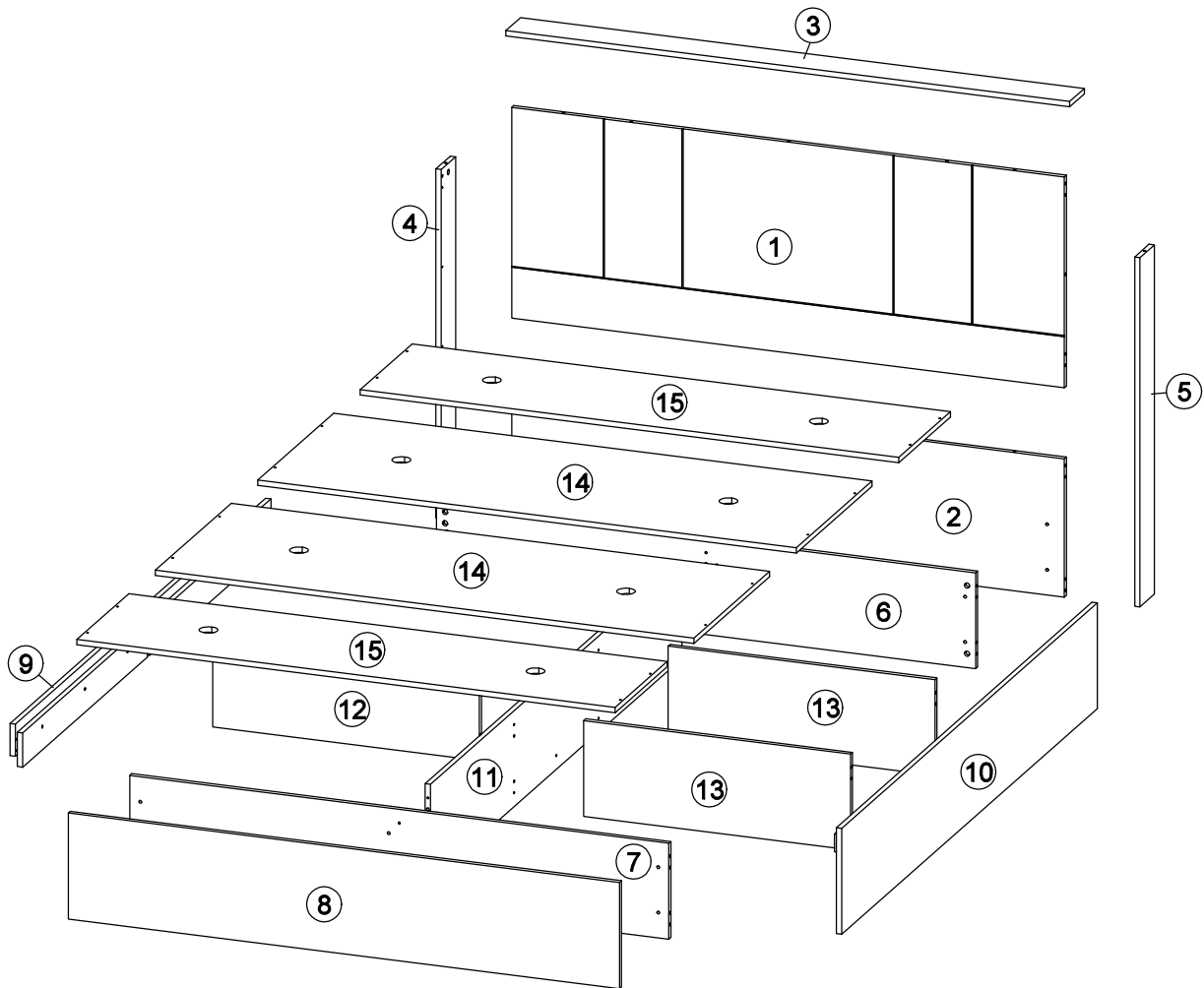
PART LIST		QTY
1	HB PANEL- UP	1 PC
2	HB PANEL- DOWN	1 PC
3	HB TOP BONE	1 PC
4	HB SIDE PANEL-L	1 PC
5	HB SIDE PANEL-R	1 PC
6	BED MIDDLE HB	1 PC
7	BED MIDDLE FB	1 PC
8	FB PANEL	1 PC
9	BED SIDE-L	1 PC
10	BED SIDE-R	1 PC
11	BED CENTER	1 PC
12	BED MIDDLE-1	1 PC
13	BED MIDDLE-2	2 PCS
14	BUNKIE PANEL-BIG	2 PCS
15	BUNKIE PANEL-SMALL	2 PCS
16	DRAWER FRONT	2 PCS
17	DRAWER BACK	2 PCS
18	DRAWER SIDE-L	2 PCS
19	DRAWER SIDE-R	2 PCS
20	DRAWER SIDE BONE	4 PCS
21	DRAWER CENTER BONE	2 PCS
22	DRAWER BOTTOM	2 PCS

CODING
- 655129

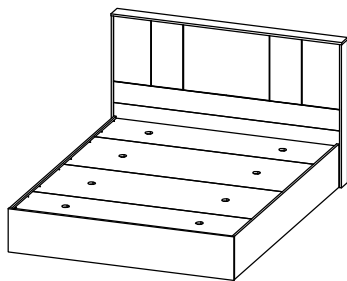


ISO 9001:2015
Reg. No. 00035-1-MY-1-QMS

nuhoom.com



CODING
- 655129

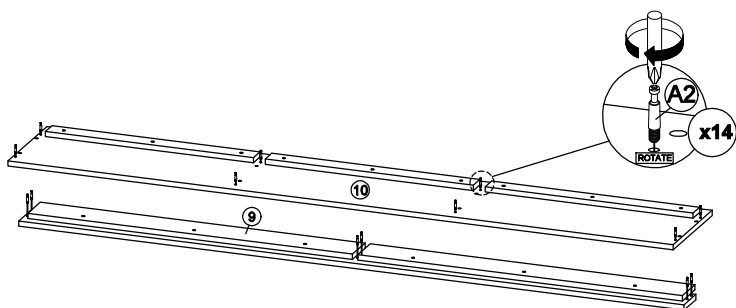


ISO 9001:2015
Reg. No. 00043-1-MY-1-QMS

nuhoom.com

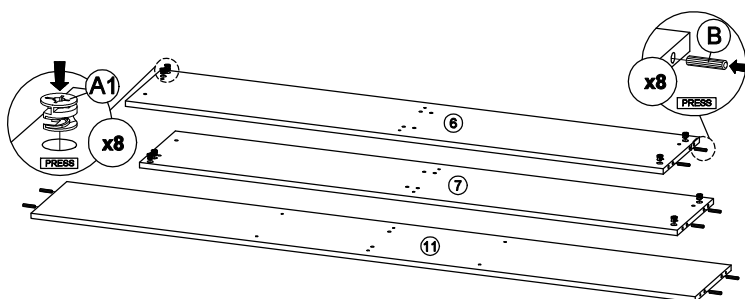
STEP 1

- Insert hardware **A2** onto panel **(9)** and **(10)**.
(Repeat 14 times.)



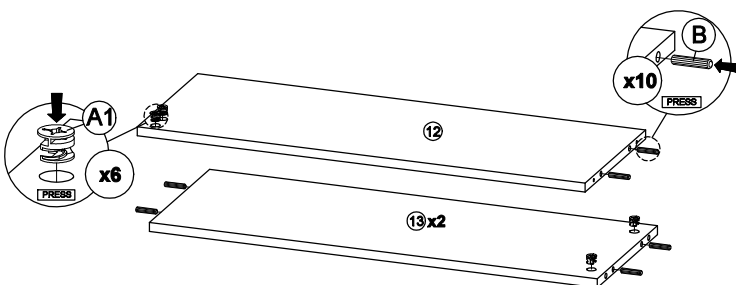
STEP 2

- Insert hardware **A1** onto panel **(6)** and **(7)**.
(Repeat 8 times.)
- Insert hardware **B** onto panel **(6)**, **(7)** and **(11)**.
(Repeat 8 times.)



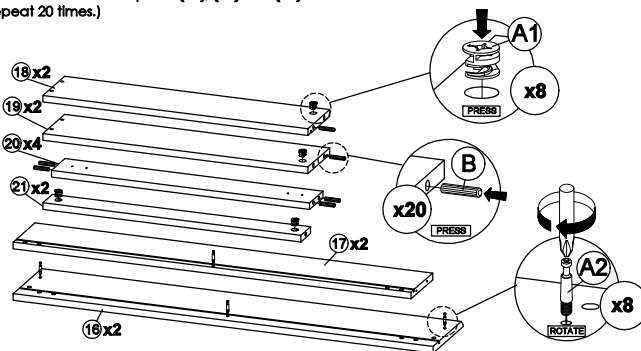
STEP 3

- Insert hardware **A1** onto panel **(12)** and **(13)**.
(Repeat 6 times.)
- Insert hardware **B** onto panel **(12)** and **(13)**.
(Repeat 10 times.)



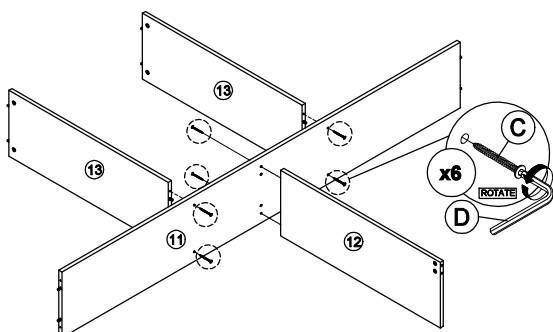
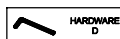
STEP 4

- Insert hardware **A1** onto panel **(18)**, **(19)** and **(21)**.
(Repeat 8 times.)
- Insert hardware **A2** onto panel **(16)** and **(17)**.
(Repeat 8 times.)
- Insert hardware **B** onto panel **(18)**, **(19)** and **(20)**.
(Repeat 20 times.)



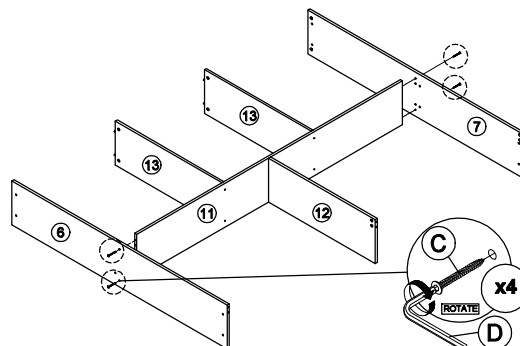
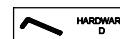
STEP 5

- Connect panel **(12)** and **(13)** to panel **(11)**
by using hardware **C** and **D**.
(Repeat 6 times.)

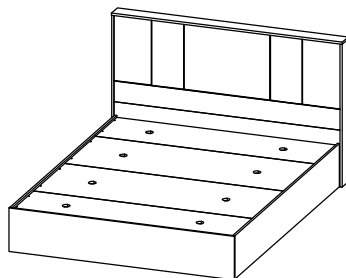


STEP 6

- Connect panel **(6)** and **(7)** to panel **(11)**
by using hardware **C** and **D**.
(Repeat 4 times.)



CODING
- 655129

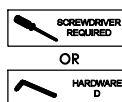


ISO 9001:2015
Reg. No. 00043-1-MY-1-QMS

nuhoom.com

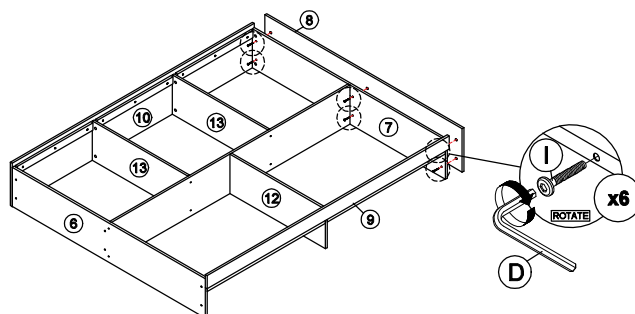
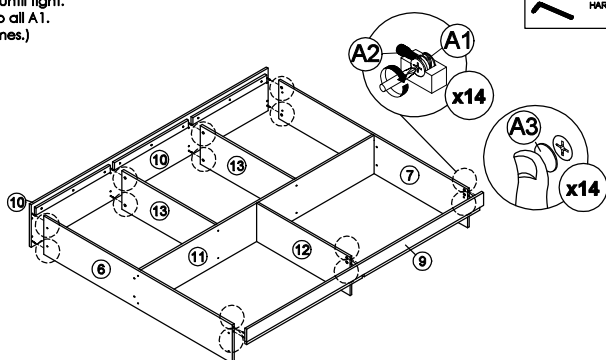
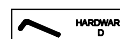
STEP 7

- Attach panel (9) and (10) to panel (6), (7), (12) and (13).
- Insert all hardware A2 into A1.
- Rotate all A1 until tight.
- Apply A3 onto all A1.
- (Repeat 14 times.)



STEP 8

- Assemble part (8) into panel (7) by using hardware D and I.
- (Repeat 6 times.)



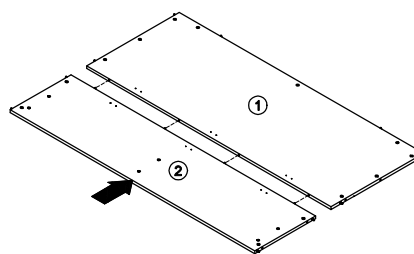
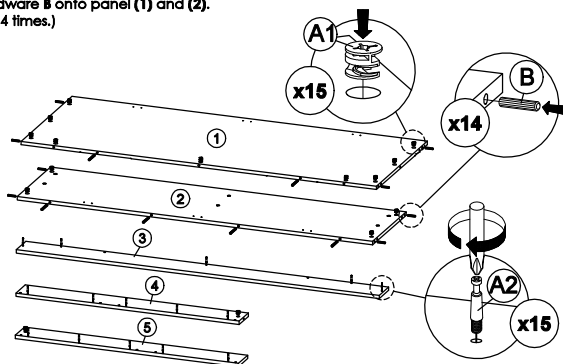
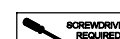
STEP 9

- Insert hardware A1 onto panel (1), (2), (4) and (5).
- (Repeat 15 times.)
- Insert hardware A2 onto panel (3), (4) and (5).
- (Repeat 15 times.)
- Insert hardware B onto panel (1) and (2).
- (Repeat 14 times.)



STEP 10

- Attach panel (1) to panel (2).



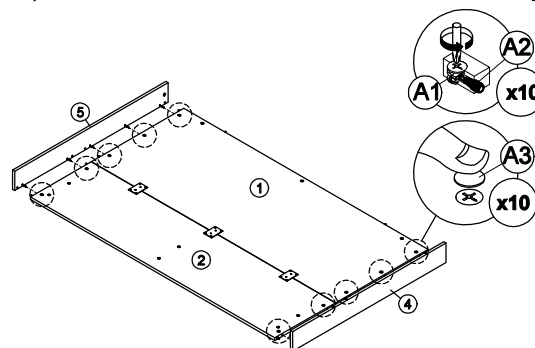
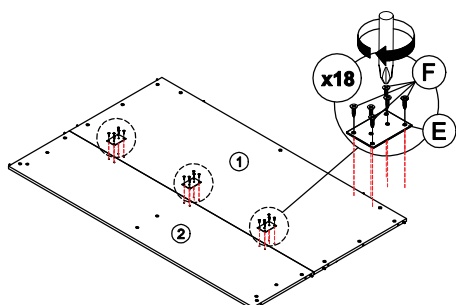
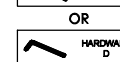
STEP 11

- Fix hardware E into panel (1) and (2) by using hardware F.
- (Repeat 18 times.)

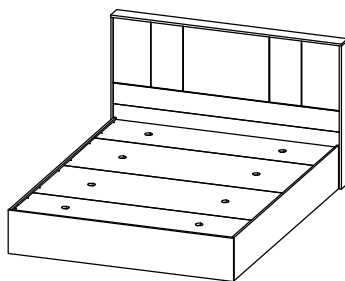


STEP 12

- Attach panel (4) and (5) to panel (1) and (2).
- Insert all hardware A2 into A1.
- Rotate all A1 until tight.
- Apply A3 onto all A1.
- (Repeat 10 times.)



CODING
- 655129

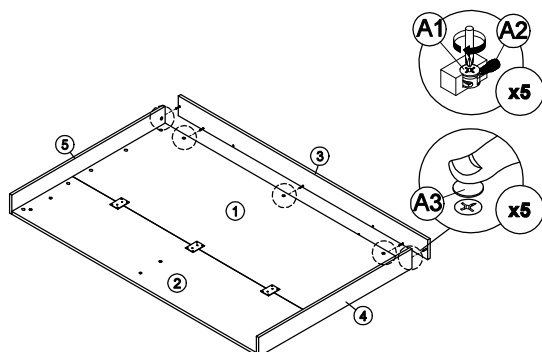
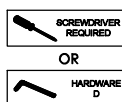


ISO 9001:2015
Reg. No. 00043-1-MY-1-QMS

nuhoom.com

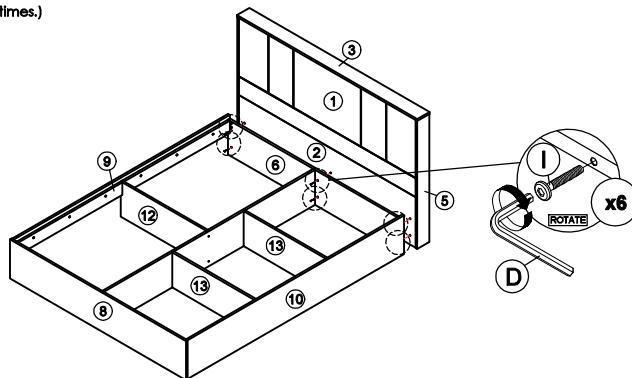
STEP 13

- Attach panel (3) to panel (1), (4) and (5).
- Insert all hardware A2 into A1.
- Rotate all A1 until tight.
- Apply A3 onto all A1.
- (Repeat 5 times.)



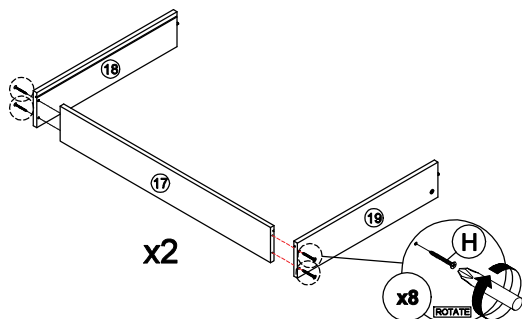
STEP 14

- Assemble part (2) into panel (6) by using hardware D and I.
- (Repeat 6 times.)



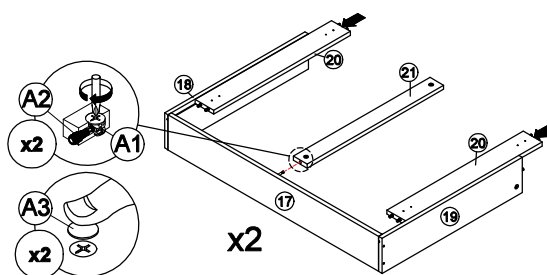
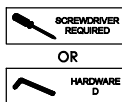
STEP 15

- Assemble panel (17) with panel (18) and (19) by using hardware H.
- (Repeat 4 times for each drawer.)



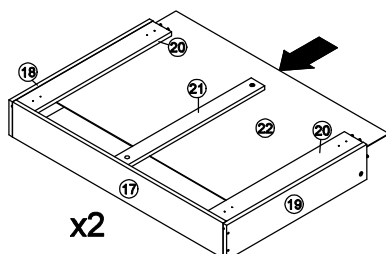
STEP 16

- Attach panel (20),(21) to panel (17).
- Insert all hardware A2 into A1.
- Rotate all A1 until tight.
- Apply A3 onto all A1.
- (Repeat 2 times.)



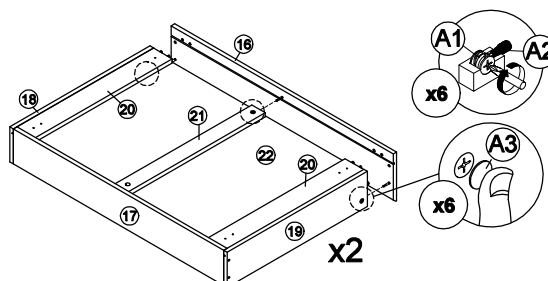
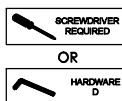
STEP 17

- Insert the panel (22) along the slot.

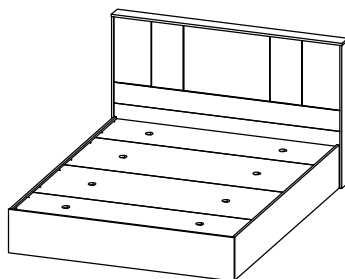


STEP 18

- Attach panel (16) to panel (18), (19), (20), and (21).
- Insert all hardware A2 into A1.
- Rotate all A1 until tight.
- Apply A3 onto all A1.
- (Repeat 6 times.)



CODING
- 655129



ISO 9001:2015
Reg. No. 00043-1-MY-1-QMS

nuhoom.com

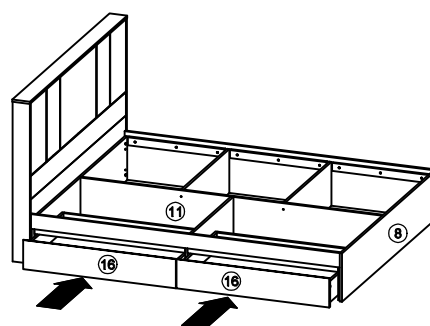
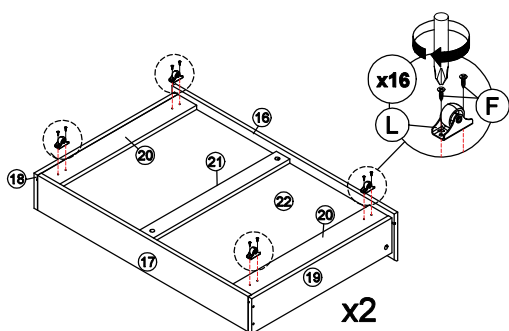
STEP 19

-Fix hardware (L) into panel (20) by using hardware F.
(Repeat 8 times for each drawer.)



STEP 20

-Put all the drawer in place along the drawer slides.



STEP 21

-Assemble panel (14) and (15) to panel (9) and (10) by using hardware G.
(Repeat 16 times.)

